

# Standard Cable Glands for Railway Applications, Polyamide

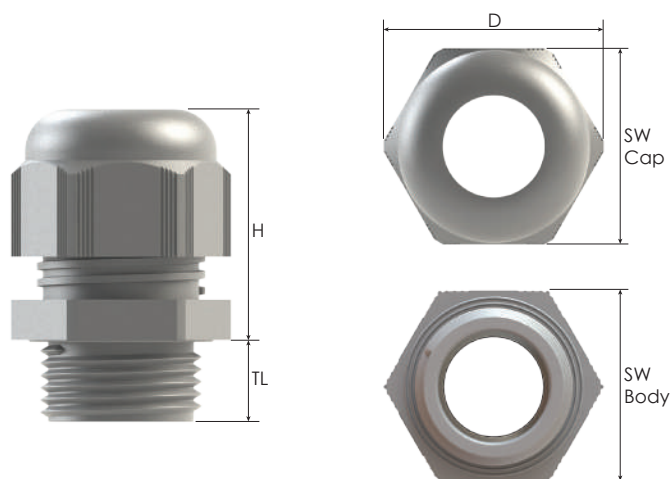
## Polyamide cable glands for railway application

- For standard industrial applications.
- Easy assembly.
- High quality strain relief and sealing, reliable performance for standard industrial applications.
- Up-to-date international approvals.

Technical Details		
<b>Material</b>	<b>Body, Cap</b>	PA 6 (Polyamide 6) (R22, HL3 and R23, HL3)
	<b>Seal</b>	EPDM (R22, HL3 and R23, HL3)
<b>Ingress Protection Rating</b>		IP 68 - 5 Bar, 30 min
		IP 66
<b>Flammability</b>		R22 acc. to EN45545-2
		R23 acc. to EN45545-2
		HL2 acc. to EN45545-2
		HL3 acc. to EN45545-2
<b>Operating Temperature</b>	<b>EPDM</b>	
	-40 °C to +100 °C	
<b>Thread Type</b>		• Metric EN 60423
		• PG DIN 40430
		• Other thread types also available upon request.
<b>Cable Type</b>	Non armoured	
<b>Accessories</b>		• Lock nuts
		• Dome plugs
		• Reducing seals
		• Flat cable seals
		• Multihole seals
<b>Remarks</b>		• Gaskets (Washers)
		• Manufactured according to DIN EN 62444/50262.
		• We recommend the use of locknuts and gaskets to ensure IP rating for rough surfaces or through holes.
		• Some approvals do not cover all sizes.
		• Accessories must be ordered separately.
		• Other colours on request: RAL 7001 (grey), RAL 9005 (black)



Order Coding				
Part Number	-	Gasket (Washer)	Sealing Plug	Lock Nut
Mandatory	-	Option	Option	Option
See table	-	WE EPDM	P Dome Plug	L Lock nut
Example				
R-BM-12L	-	WE	P	L



## Cable Glands for Railway Applications, Polyamide

Thread Type <b>METRIC</b> acc. to EN 60423							
Outer Thread Size (Male)	Clamping Range Ø min - max mm	Outer Thread Length TL mm	Spanner Width		Outer Ø D mm	max. Height H mm	Part Number  RAL 7035 light grey
			Cap SW Cap mm	Body SW Body mm			
M12x1,5	3,0 - 6,5	8,0	15	15	17,0	25,3	R-BM-1S
	4,0 - 8,0	8,0	19	19	21,7	27,4	R-BM-EN-11
M16x1,5	4,0 - 8,0	10,0	19	19	21,7	27,4	R-BM-EN-11M
	5,0 - 10,0	10,0	22	22	25,0	32,2	R-BM-11
	5,0 - 10,0	15,0	22	22	25,0	32,2	R-BM-11L
M20x1,5	6,0 - 12,0	10,0	24	24	27,0	32,4	R-BM-12
	6,0 - 12,0	15,0	24	24	27,0	32,4	R-BM-12L
	10,0 - 14,0	10,0	27	27	30,9	31,9	R-BM-13
	10,0 - 14,0	15,0	27	27	30,9	31,9	R-BM-14
M25x1,5	13,0 - 18,0	10,0	33	33	37,2	38,4	R-BM-15
	13,0 - 18,0	15,0	33	33	37,2	38,4	R-BM-16
M32x1,5	18,0 - 25,0	15,0	42	42	47,1	43,3	R-BM-17
M40x1,5	22,0 - 32,0	18,0	53	53	59,6	52,4	R-BM-18